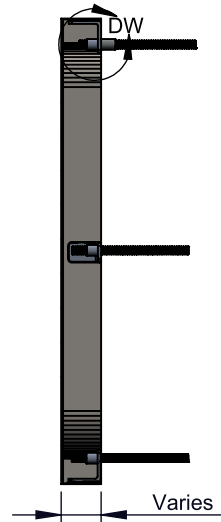


FRONT VIEW II SCALE 1:5



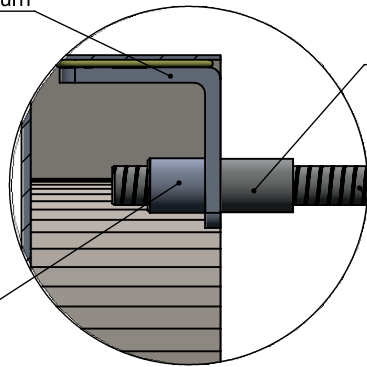
SECTION A-A II SCALE 1:5

"L" bracket secured with high resistance epoxy to return

Optional spacer sleeve (Size varies)

Aluminum mounting stud (Size varies (see table))

Threaded Stud Boss (Size varies by bracket)

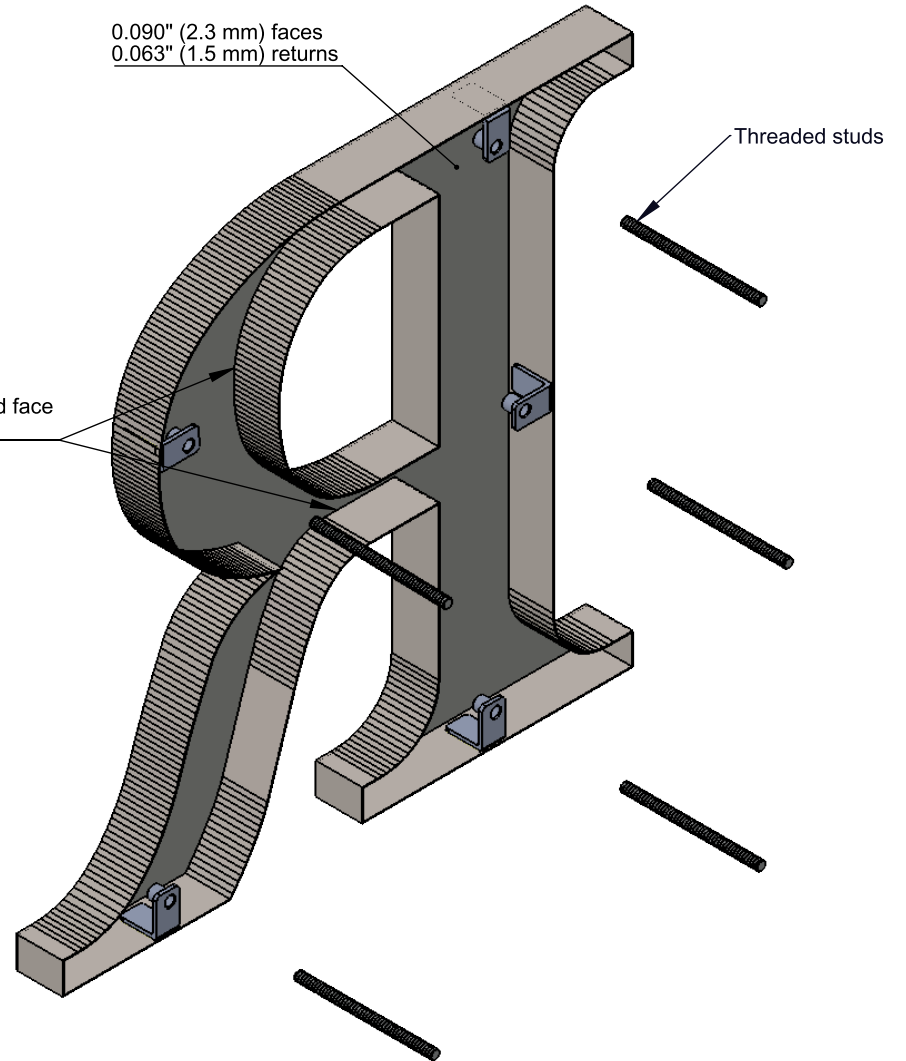


DETAIL DW II SCALE 1:1

0.090" (2.3 mm) faces
0.063" (1.5 mm) returns

MIG welded face to return

Threaded studs



ISOMETRIC BACK VIEW II SCALE 1:3

STUD MOUNT

NOTE: ALL DESIGN CONCEPTS AND ARTWORK ARE PROPERTY OF THE SIGN DUDE AND MAY NOT BE REPRODUCED WITHOUT PERMISSION. MOCKUPS ARE PROVIDED **FOR POSITION ONLY**. FINAL PLACEMENT AND COLORS MAY VARY.

