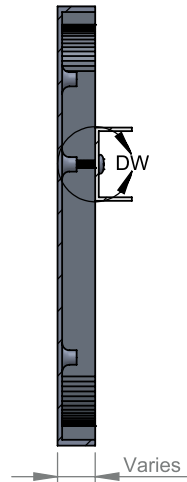
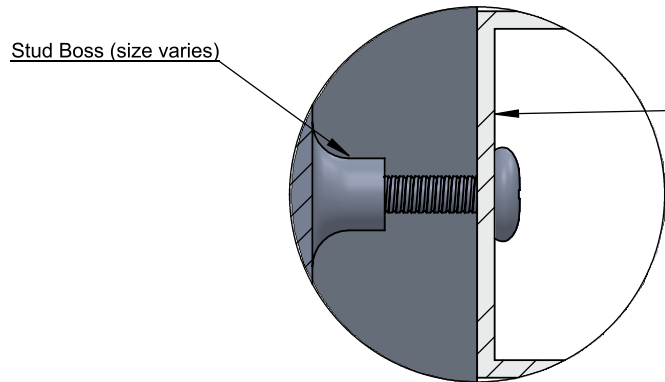


FRONT VIEW II SCALE 1:5



SECTION VIEW A-A II SCALE 1:5



DETAIL DW II SCALE 1:1

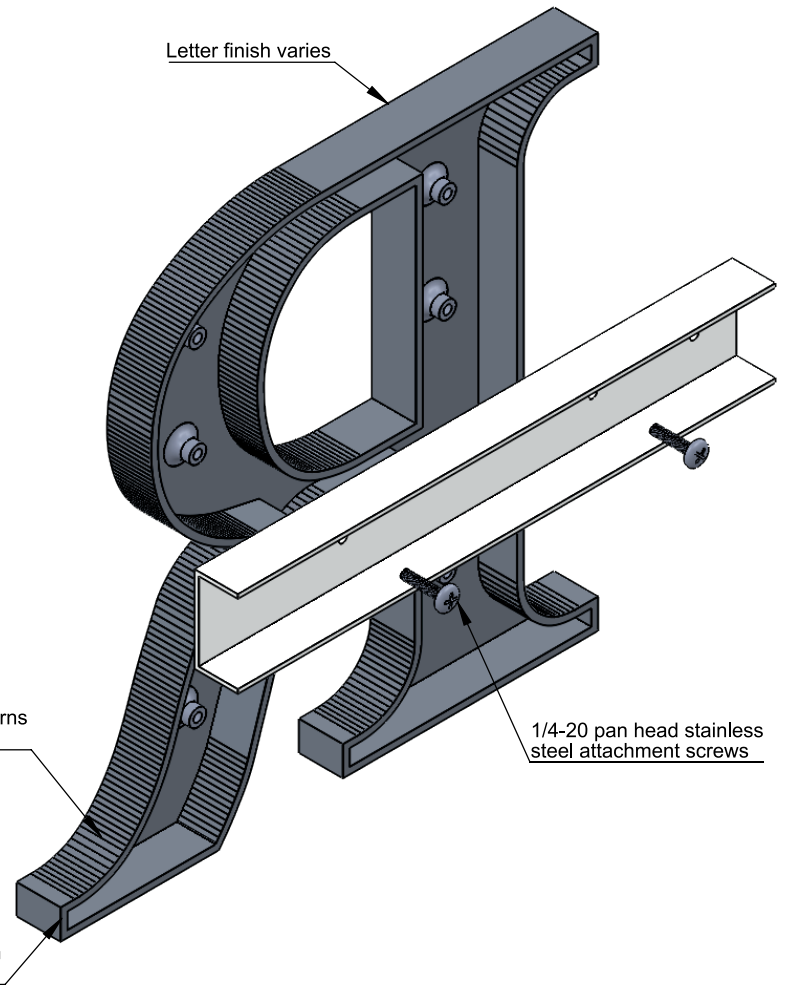
C-shape rail (size varies)
Painted or anodized
6063-T2 extruded-aluminum
1/8" wall

Standard returns
Bead blasted

0 - 7° return draft - thickness/depth
- varies by style and height

Letter finish varies

1/4-20 pan head stainless
steel attachment screws



ISOMETRIC BACK VIEW II SCALE 1:3

RAIL / RACEWAY MOUNT

NOTE: ALL DESIGN CONCEPTS AND ARTWORK ARE PROPERTY OF THE SIGN DUDE AND MAY NOT BE REPRODUCED WITHOUT PERMISSION. MOCKUPS ARE PROVIDED **FOR POSITION ONLY**. FINAL PLACEMENT AND COLORS MAY VARY.

